

← Click to go back

TOW-PRO® SERIES

TRAILER MOUNTED BOOM LIFTS

AERIAL TITANS

Click for website

JLG
reaching out.™

Performance

Platform Height		
T350	34 ft 5 in.	10.5 m
Horizontal Outreach		
Working Outreach		
T350	20 ft 2 in.	6.15 m
Centerline to Platform Edge		
T350	18 ft 9.5 in.	5.7 m
From Outrigger Pad Edge		
T350	13 ft 6 in.	4.11 m
Up and Over Height		
T350	15 ft	4.57 m
Swing	410 Degrees Non-Continuous	
Platform Capacity	500 lb	227 kg
Platform Capacity w/Rotator (Optional)	440 lb	200 kg
Material Hook Capacity	500 lb	227 kg
Platform Rotator (Optional)	90 Degrees Manual	
Weight*		
T350	3,400 lb	1,542 kg
Leveling Capability	11 Degrees	
Max. Ground Bearing Pressure		
T350	23 psi	1.62 kg/cm ²
Towing Speed Rating	65 mph	105 kmph
Tongue Weight*		
T350	250 lb	114 kg

*Machine weights may increase with options

Standard Specifications

Power Source

DC Power	24V DC
Batteries	4 x 6V 220 amp-hr
Gasoline Engine (Optional)	Honda GX 270—9 hp

Tires

- T350 ST215/75 R14 Pneumatic

Standard Features

- Telescopic Upper Boom
- Platform, Side Entry: 30 x 48 in. (0.76 x 1.22 m)
- Proportional Controls
- 110V-AC Receptacle in the Platform
- Auto-Leveling Hydraulic Outriggers
- Motion Alarm
- Tilt Alarm/Indicator Light
- Hourmeter
- Four 6V 220 Amp-Hour Batteries
- Battery Condition Indicator
- Parking Brake
- 2 in. Hitch with Adjustable Height Coupler
- Standard Air and Water Lines to Platform



Accessories & Options

- Platform Rotator
- Material Hook — 500 lb (227 kg) Capacity
- Drive and Outrigger Set
- Platform Mounted Glass/Panel Tray
- Non-Marking Outrigger Pads
- Full-Size Spare Tire
- Flashing Amber Beacon
- 3000 Watt Honda Generator

AERIAL TITANS

Click for website

← Click to go back

TOW-PRO® SERIES

TRAILER MOUNTED BOOM LIFTS

AERIAL TITANS

Click for website

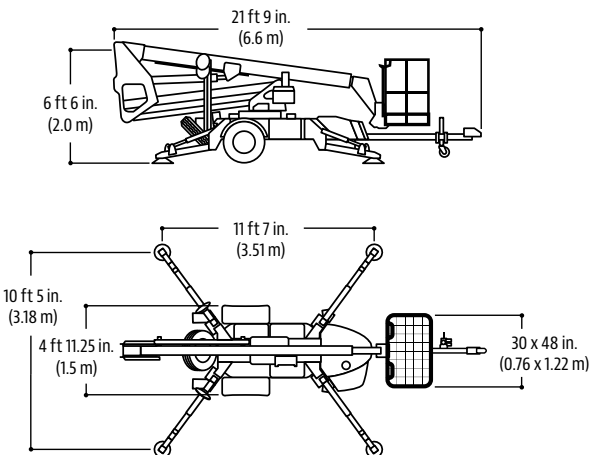
JLG

reaching out.™

Dimensions

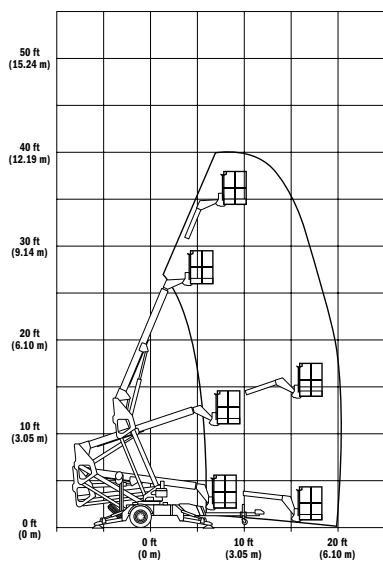
All dimensions are approximate.

T350



Reach Dimensions

T350



AERIAL TITANS

Click for website

The JLG "1 & 5" Warranty

We provide coverage for one (1) full year, and cover all specified major structural components for five (5) years. Due to continuous product improvements, we reserve the right to make specification and/or equipment changes without prior notification. This machine meets or exceeds applicable ANSI and CSA requirements based on machine configuration as originally manufactured for intended applications. Please reference the serial number plate on the machine for additional information.

Part No.: 3133001
RT11708
Printed in USA

JLG

JLG Industries, Inc.
1 JLG Drive
McConnellsburg, PA 17233-9533
Telephone 717-485-5161
Toll-free in US 877-JLG-LIFT
Fax 717-485-6417
www.jlg.com

An Oshkosh Corporation Company