

← Click to go back

# TOW-PRO® SERIES

TRAILER MOUNTED BOOM LIFTS

# AERIAL TITANS

Click for website

**JLG**  
reaching out.

## Performance

### Platform Height

T500J 50 ft 9.5 in. 15.3 m

### Horizontal Outreach Working Outreach

T500J 31 ft 6 in. 9.6 m  
Centerline to Platform Edge

T500J 29 ft 6 in. 9 m  
From Outrigger Pad Edge

T500J 23 ft 5 in. 7.14 m  
Up and Over Height

T500J 18 ft 5.49 m

Swing 410 Degrees Non-Continuous

Platform Capacity 500 lb 227 kg

Platform Capacity w/Rotator (Optional) 440 lb 200 kg

Material Hook Capacity 500 lb 227 kg

Platform Rotator (Optional) 90 Degrees Manual

Jib Length (T500J only) 4 ft 1.22 m

Jib Vertical Motion (T500J only) 130 degrees (+75, -55)

### Weight\*

T500J 4,800 lb 2,177 kg

Leveling Capability 11 Degrees  
Max. Ground Bearing

Pressure T500J 31 psi 2.18 kg/cm<sup>2</sup>

Towing Speed Rating 65 mph 105 kmph

Tongue Weight\* T500J 350 lb 159 kg

\*Machine weights may increase with options

## Standard Specifications

### Power Source

DC Power 24V DC

Batteries 4 x 6V 220 amp-hr

Gasoline Engine (Optional) Honda GX 270—9 hp

### Tires

• T500J ST225/75 R15 Pneumatic

## Standard Features

- Telescopic Upper Boom
- 4 ft (1.22 m) Jib (T500J Only)
- Platform, Side Entry: 30 x 48 in. (0.76 x 1.22 m)
- Proportional Controls
- 110V-AC Receptacle in the Platform
- Auto-Leveling Hydraulic Outriggers
- Motion Alarm
- Tilt Alarm/Indicator Light
- Hourmeter
- Four 6V 220 Amp-Hour Batteries
- Battery Condition Indicator
- Parking Brake
- 2 in. Hitch with Adjustable Height Coupler
- Standard Air and Water Lines to Platform



## Accessories & Options

- Platform Rotator
- Material Hook — 500 lb (227 kg) Capacity
- Drive and Outrigger Set
- Platform Mounted Glass/Panel Tray
- Non-Marking Outrigger Pads
- Full-Size Spare Tire
- Flashing Amber Beacon
- 3000 Watt Honda Generator

# AERIAL TITANS

Click for website

← Click to go back

# TOW-PRO® SERIES

TRAILER MOUNTED BOOM LIFTS

# AERIAL TITANS

Click for website

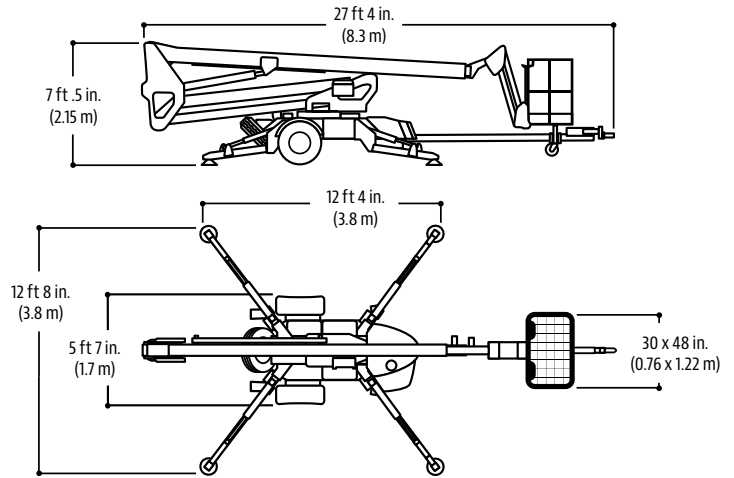
# JLG

reaching out.™

## Dimensions

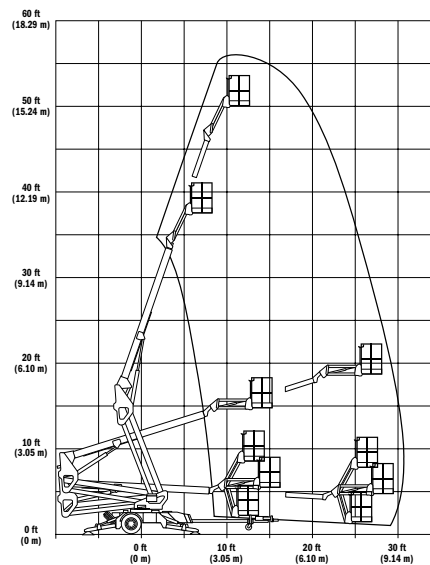
All dimensions are approximate.

T500J



## Reach Dimensions

T500J



# AERIAL TITANS

Click for website

# JLG

## The JLG "1 & 5" Warranty

We provide coverage for one (1) full year, and cover all specified major structural components for five (5) years. Due to continuous product improvements, we reserve the right to make specification and/or equipment changes without prior notification. This machine meets or exceeds applicable ANSI and CSA requirements based on machine configuration as originally manufactured for intended applications. Please reference the serial number plate on the machine for additional information.

Part No.: 3133001  
RT11708  
Printed in USA

**JLG Industries, Inc.**  
1 JLG Drive  
McConnellsburg, PA 17233-9533  
Telephone 717-485-5161  
Toll-free in US 877-JLG-LIFT  
Fax 717-485-6417  
[www.jlg.com](http://www.jlg.com)

**An Oshkosh Corporation Company**