

← Click here to go back

TEUPEN
...access redefined

**AERIAL
TITANS**

Click for website

TC69A

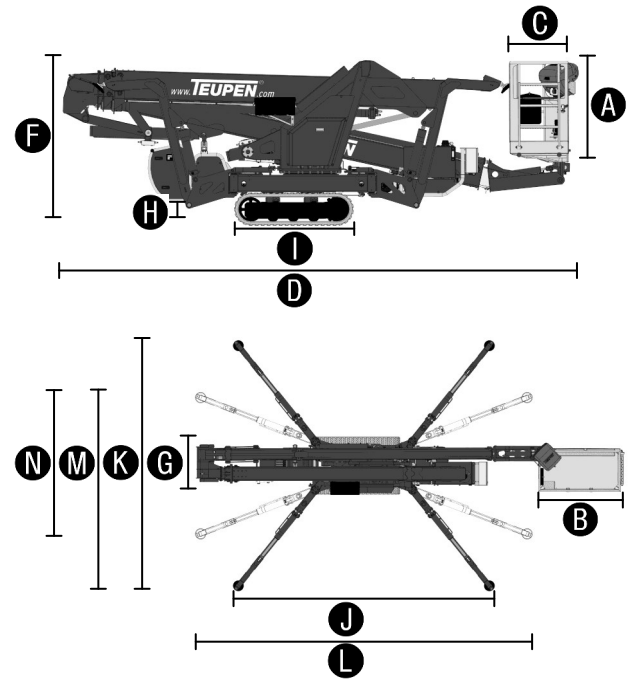
Specifications

MEASUREMENTS	US	Metric
Platform height, max.	68 ft 10 in	21,00 m
Horizontal outreach with 441 lbs	36 ft 8 in	11,20 m
Up-and-over clearance, max.	37 ft 9 in	11,50 m
Platform height (A)	3 ft 7 in	1,10 m
Platform length (B)	4 ft 8 in	1,42 m
Platform width (C)	2 ft 3 in	0,70 m
Length, overall (D)	20 ft 4 in	6,20 m
Length without basket (E)	-	-
Height, travelling position (F)	6 ft 6 in	1,97 m
Width, min. (G)	3 ft 3 in	0,98 m
Ground clearance, max. (H)	1 ft 3 in	
Track (L x W) (I)	4 ft 9 in x 7¾ in	1,45 m x 0,20 m
Length outrigger footprint standard (J)	14 ft 10 in	4,53 m
Width outrigger footprint standard (K)	14 ft 3 in	4,33 m
Length footprint one side narrow (L)	19 ft 7 in	5,98 m
Width footprint one side narrow (M)	11 ft 3 in	3,42 m
Width footprint both sides narrow (N)	8 ft 6 in	2,58 m
Outrigger plate Ø	7 in	0,18 m

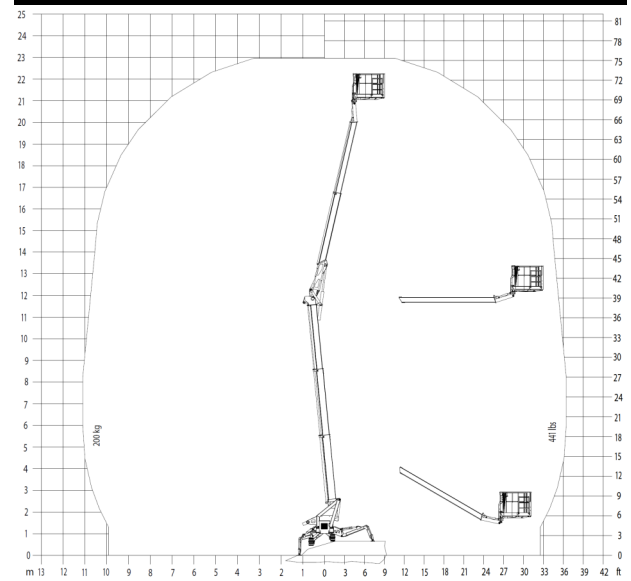
PRODUCTIVITY	US	Metric
Basket capacity	441 lbs	200 kg
Movable Jib	-	-
Basket rotation	180°	180°
Turret rotation	360°	360°
Stabilization, maximum ground slope	16.7°/30.0 %	16,7°/30,0 %
Height and width track adjustment	9/17¼ in	23/45 cm
Gradeability, max.	16.7°/30.0 %	16,7°/30,0 %
Slope angle	15.5°/27.0 %	15,5°/27,0 %
Travel speed	0.8 mph	1,3 km/h

WEIGHT	US	Metric
Total weight	6,592 lbs	2,990 kg
Live load in travelling position	84.0 psf	4,02 kN/m²
Live load in working position	37.2 psf	1,78 kN/m²

POWER		
Standard power source	Diesel: Kubota Z 602 (10.8 kW/14.5 hp)	
Fuel tank capacity Diesel engine	3.17 gal	12,0 l



WORKING ENVELOPE



STANDARDS COMPLIANCE



EN ISO 9001



ANSI/SIA A92.5-2006 section 4 & CSA B354.1-2004 "Design and manufacture criteria"

Product specifications are subject to change without notice or obligation. Photographs and drawings in this document are for illustrative purposes only. Refer to the appropriate Operator's Manual for instructions on the proper use of this equipment. Failure to follow the appropriate Operator's Manual when using our equipment or to otherwise act irresponsibly may result in serious injury or death. The only warranty applicable to our equipment is the standard written warranty applicable to the particular product and sale and we make no other warranty, expressed or implied. Products and services listed may be trademarks, service marks or trade-names of Teupen Maschinenbau GmbH and/or its subsidiaries in the U.S.A. and many other countries. "Teupen", "Access redefined" and "LED Series" are registered Trademarks of Teupen GmbH in the United States of America and many other countries. Version 2014-A © 2014 Teupen Maschinenbau GmbH.

Features

TRACK CHASSIS

- Powerful track drive with hydraulic braking system ensuring terrain ability
- Precise maneuvering over sensitive electro-hydraulic cable remote control
- Black rubber tracks with specially arranged profile providing optimum grip
- Hydraulic controlled height and width adjustable track chassis

OUTRIGGER SYSTEM

- Fully-hydraulic, automatic leveling system with outrigger/stabilizer setup monitoring
- Multi-position, Automatic self-leveling outriggers/stabilizers
- Wear resistant, anti-friction PVC outrigger/stabilizer feet
- 4 Sliding outrigger/stabilizer pads 27.5"x8.5"x2.5"

BOOM SYSTEM

- Telescoping upper- and lower booms, trapezoid-shaped aluminum profiles
- All functions are available from one control panel
- Electric-proportional controls with intuitive operator guidance
- Robust, lockable control panel with integrated operation function
- Corner mounted two person basket, L 56"xW 27"xH 43", Platform rotation 180°
- Boom rotation via high-performance slew ring with planetary gears and hydrostatic motor
- Resting support system prevents incorrect positioning of boom in transport bracket

POWER SOURCES

- Prime power via Kubota Z-602, 14.5 hp, 2-cylinder diesel engine
- Start-Stop control of engine from platform

PRODUCTIVITY, SAFETY, QUALITY

- Ergonomically shaped basket with eyelets for safety belts, tool tray and 115 Volt / 16 A dual outlet on platform
- Lockable storage box for cable remote control
- High quality painting to RAL 6010 Green Grass
- Emergency control via hand pump
- Cables and hoses are safely routed through the boom structure
- Biodegradable hydraulic oil
- Lock valves - hydraulic return valves directly on all hydraulic cylinders
- Relief valves which switch off movements when the set maximum pressure being exceeded
- Protective covers for oil-tank, emergency controls and connecting cables and hoses
- Protective covers for electric housing, ground control panel and telescopic cylinder
- Easily removable covers for optimal accessibility
- Hour meter
- Fuzzy-Control Logic and Computer Monitoring System

ACCESSORIES

- Electric emergency boom lowering - (must be factory installed with order)
- Track cover, made of high quality polypropylene fabric (2 required for set)
- Track cover, canvas mesh, standard quality
- Outrigger/Stabilizer pads, 17"x15"x1.5"
- Sliding outrigger/stabilizer pads 27.5"x8.5"x2.5"
- Ratchet straps/load binders, weight rating 4496 lbf
- Catalytic exhaust muffler

**AERIAL
TITANS**

Click for website

Inquiries from North & South America:

US Office

Teupen USA, Inc.

Po Box 938

Pineville, NC 28134, USA

phone (704) 248-9888

fax (704) 248-9889

sale@teupen-usa.com

www.teupen-usa.com/us