

← [Click here to go back](#)

TEUPEN
...access redefined

**AERIAL
TITANS**

[Click for website](#)

TC92SJ

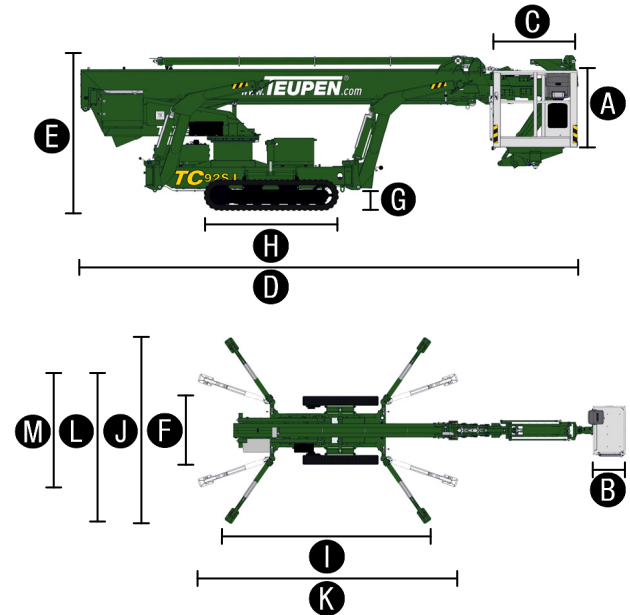
Specifications

MEASUREMENTS	Metric	US
Platform height, max.	28,00 m	91 ft 10 in
Horizontal outreach with 176 lbs	15,70 m	51 ft 6 in
Horizontal outreach with 441 lbs	14,00 m	45 ft 11 in
Platform height (A)	1,10 m	3 ft 7 in
Platform length (B)	0,80 m	2 ft 8 in
Platform width (C)	1,20 m	3 ft 11 in
Length, overall (D)	7,20 m	23 ft 8 in
Height, travelling position (E)	1,98 m	6 ft 6 in
Width, min. (F)	1,58 m	5 ft 3 in
Ground clearance, max. (G)	0,27 m	11 in
Track (L x W) (H)	1,92 m x 0,25 m	6 ft 2 in x 10 in
Length outrigger footprint standard (I)	5,30 m	17 ft 5 in
Width outrigger footprint standard (J)	4,75 m	15 ft 7 in
Length footprint one side narrow (K)	6,64 m	21 ft 9 in
Width footprint one side narrow (L)	3,95 m	12 ft 11 in
Width footprint both sides narrow (M)	2,99 m	9 ft 10 in
Outrigger plate (L x W)	0,31 m x 0,22 m	12 in x 8½ in

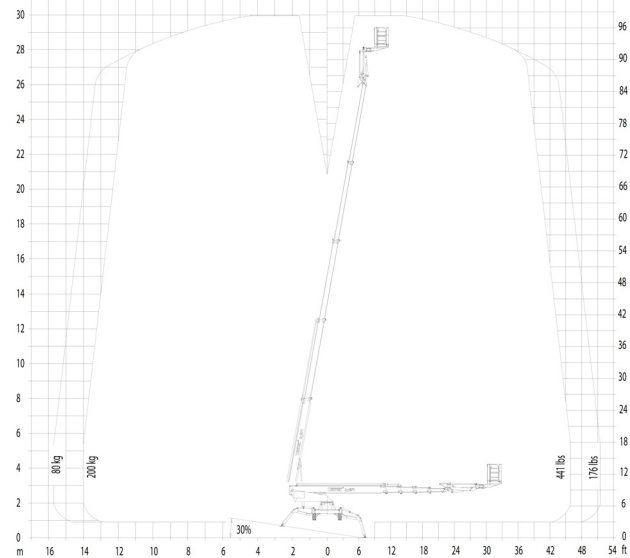
PRODUCTIVITY	Metric	US
Basket capacity	200 kg	441 lbs
Movable jib	180°	180°
Basket rotation	180°	180°
Turret rotation	450°	450°
To be jacked up on ground slope of	16,7°/30,0 %	16.7°/30.0 %
Height and width track adjustment	22/17 cm	8¾/6¾ in
Gradeability, max.	16,7°/30,0 %	16.7°/30.0 %
Slope angle	16,7°/30,0 %	16.7°/30.0 %
Travel speed	3,0 km/h	1.9 mph

WEIGHT	Metric	US
Total weight	4.275 kg	9,425 lbs
Live load in travelling position	3,68 kN/m²	76.85 psf
Live load in working position	1,77 kN/m²	36.96 psf
Point load per outrigger plate, max.	26,0 kN	5,845 lbf

POWER		
Standard power sources	Diesel: Kubota D 902-E3 (16.1 kW/21.6 hp)	
Fuel tank capacity Diesel engine	40,0 l	10.06 gal



WORKING ENVELOPE



STANDARDS COMPLIANCE



EN ISO 9001



ANSI/SIA A92.5-2006
section 4 & CSA
B354.1-2004
"Design & manufacture criteria"

US

Product specifications are subject to change without notice or obligation. Photographs and drawings in this document are for illustrative purposes only. Refer to the appropriate Operator's Manual for instructions on the proper use of this equipment. Failure to follow the appropriate Operator's Manual when using our equipment or to otherwise act irresponsibly may result in serious injury or death. The only warranty applicable to our equipment is the standard written warranty applicable to the particular product and sale and we make no other warranty, expressed or implied. Products and services listed may be trademarks, service marks or trade-names of Teupen Maschinenbau GmbH and/or its subsidiaries in the U.S.A. and many other countries. "Teupen", "Access redefined" and "LEO Series" are registered Trademarks of Teupen GmbH in the United States of America and many other countries. Version 2014-A © 2014 Teupen Maschinenbau GmbH.

**AERIAL
TITANS**

[Click for website](#)