

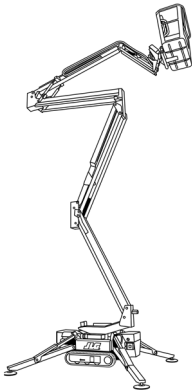
	X500AJ	X600AJ	X700AJ	X770AJ
Platform Height	49' (14.95 m)	59' 3" (18.05 m)	69' 7" (21.20 m)	77' 5" (23.60 m)
Working Height	56' (17.06 m)	66' (20.11 m)	76' (23.16 m)	84' (25.60 m)
Horizontal Outreach	23' (7.00 m)	30' 2" (9.20 m)	36' 6" (11.13 m)	43' (13.1 m)
Swing	360° Non-continuous	360° Non-continuous	360° Non-continuous	360° Non-continuous
Platform Capacity Restricted	500 lb (227 kg)	500 lb (227 kg)	440 lb (200 kg)	500 lb (227 kg)
Platform Capacity Unrestricted	500 lb (227 kg)	500 lb (227 kg)	300 lb (136 kg)	500 lb (227 kg)
Platform Rotation	124° (+/- 62°)	124° (+/- 62°)	124° (+/- 62°)	124° (+/- 62°)
Jib (Range of Articulation)	89° (0/-89)	89° (0/-89)	85° (-1/-86)	89° (+0° / -89°)
Platform Size Standard Two person Optional Single person	58" x 30" (1.47 x 0.76 m) 31" x 24" (0.78 x 0.61 m)	58" x 30" (1.47 x 0.76 m) 31" x 24" (0.78 x 0.61 m)	58" x 30" (1.47 x 0.76 m) 31" x 24" (0.78 x 0.61 m)	58" x 30" (1.47 x 0.76 m) 31" x 24" (0.78 x 0.61 m)
Overall Width	31" (0.78 m)	31" (0.78 m)	39" (0.99 m)	39" (0.99 m)
Stowed Height With Pads Pads Detached	6' 6.5" (2.00 m) 6' 6.5" (2.00 m)	6' 6.5" (2.00 m) 6' 6.5" (2.00 m)	6' 6.5" (1.99 m) 6' 6.5" (1.99 m)	6' 6.5" (2.00 m) 6' 6.5" (2.00 m)
Outrigger Footprint Narrow	10' 5" x 10' 5" (3.17 x 3.17 m) N/A	10' 7" x 10' 7" (3.2 x 3.2 m) N/A	15' 5" x 15' (4.69 m x 4.57 m) 9' 1" x 20' 4" (2.78 m x 6.19 m)	14' 3" x 14' 6" (4.31 x 4.41 m) 9' 3" x 19' 2" (2.81 x 5.84 m)
Stowed Length Without Basket	14' 10" (4.53 m) 13' 8" (4.16 m)	16' 5" (5.01 m) 15' 3" (4.65 m)	19' 8" (6.00 m) 18' 6" (5.64 m)	20' 9" (6.34 m) 19' 7" (5.98 m)
Track Length	4' 1" (1.24 m)	4' 10" (1.47 m)	5' 9" (1.77 m)	6' 10" (2.10 m)
Weight* (Lithium Ion)	5,071 lb (2,300 kg)	6,571 lb (2,980 kg)	7,050 lb (3,198 kg)	9,665 lb (4,384 kg)
Ground Bearing Pressure Outriggers Tracks	35.53 psi (2.49 kg/cm ²) 9.72 psi (0.68 kg/cm ²)	44.09 psi (3.09 kg/cm ²) 9.28 psi (0.65 kg/cm ²)	43.07 psi (3.3 kg/cm ²) 7.10 psi (.49 kg/cm ²)	65.3 psi (4.50 kg/cm ²) 7.8 psi (0.54 kg/cm ²)
Drive Speed (Lithium Ion)	0.8 mph (1.3 km/h)	0.8 mph (1.3 km/h)	0.7 mph (1.2 km/h)	0.7 mph (1.2 km/h)
Gradeability	36%	36%	40%	40 %
Slope Tolerance	12°	15°	14°	15°
Gasoline Engine	Honda iGX440 15 hp (11.1 kW)	Honda iGX440 15 hp (11.1 kW)	Honda iGX440 15 hp (11.1 kW)	—
Diesel Engine	—	—	—	Diesel Kubota D902 21.6 hp (16.1 kW)
Electric Engine	100Ah 48V Lithium-Ion	100Ah 72V Lithium-Ion	100Ah 72V Lithium-Ion	100Ah 83V Lithium-Ion
Fuel Tank Capacity (Gasoline)	1.5 gal. (5.9 L)	1.5 gal. (5.9 L)	1.5 gal. (5.9 L)	6.6 gal. (25 L)
AC Motor**	120V 60 Hz (1.2 kW)	120V 60 Hz (1.2 kW)	120V 60 Hz (1.2 kW)	120V 60 Hz (1.2 kW)

*Certain options or country standards increase weight.

**Country specific options available.

← Click to go back

**AERIAL
TITANS**
Click for website



Main Features

- Optional Lithium-ion power available.
- One-touch outrigger leveling.
- 110V-AC receptacle in platform.
- Standard air/water line.
- Patented quick connect platform.
- Large Teflon outrigger pads.
- LCD panel provides onboard diagnostics.
- SkyGuard™ optional on the X770AJ.

JLG Industries, Inc.

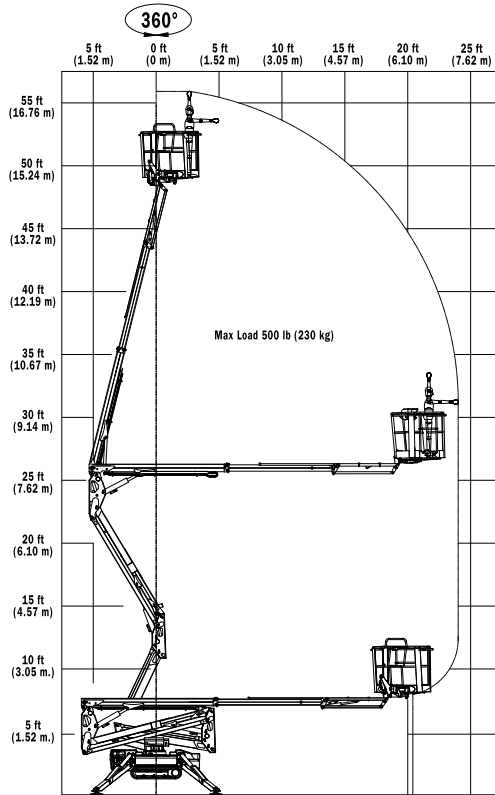
1 JLG Drive
 McConnellsburg, PA 17233-9533
 Telephone 717-485-5161
 Toll-free in US 877-JLG-LIFT
 Fax 717-485-6417

www.jlg.com

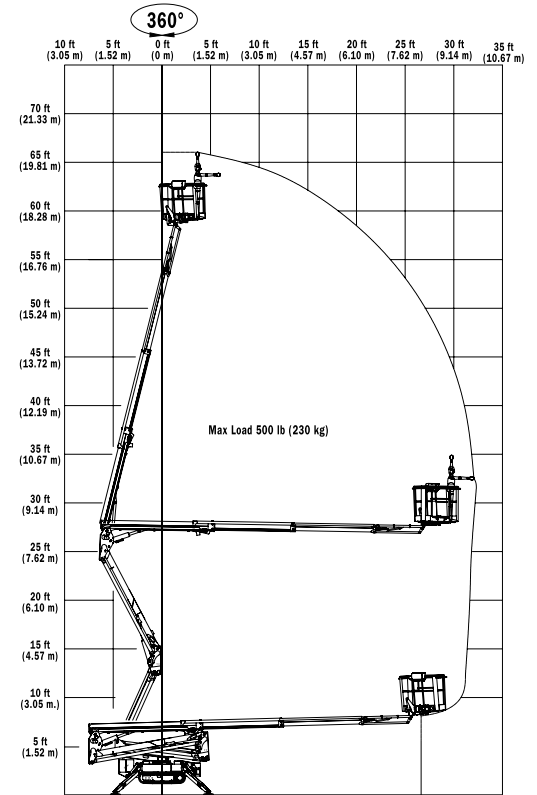
An Oshkosh Corporation Company

Part No.: 3131582
 R011608
 Printed in USA

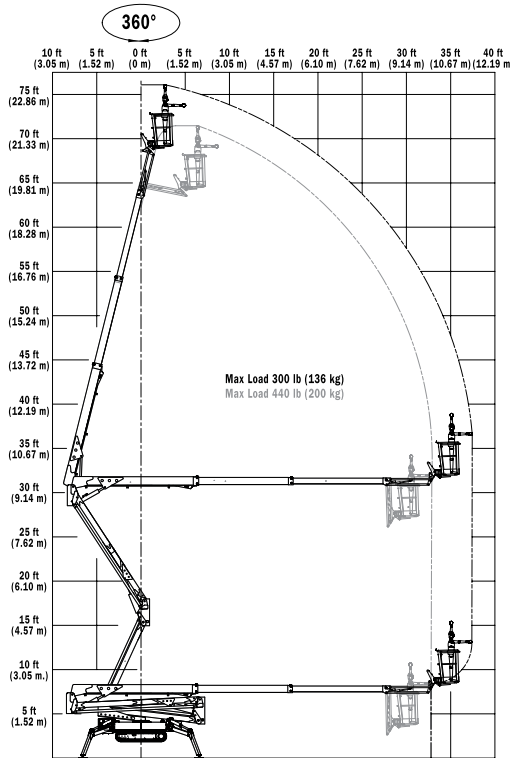
X500AJ



X600AJ



X700AJ



X770AJ

